

Ohmic probe sensor for a plasma routers

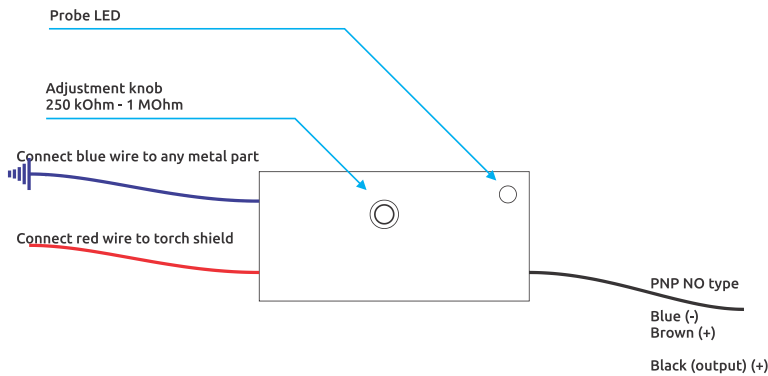


www.minithc.com

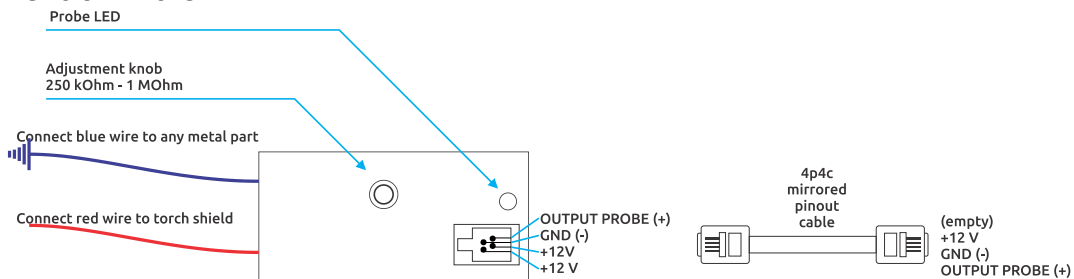
NOW WORKS FOR MAX PRO 200 (2017 version)
Adjustable sensitivity 100 kiloOhm to 1.2 megaOhm.

CONNECTION:

Revision 1 2014

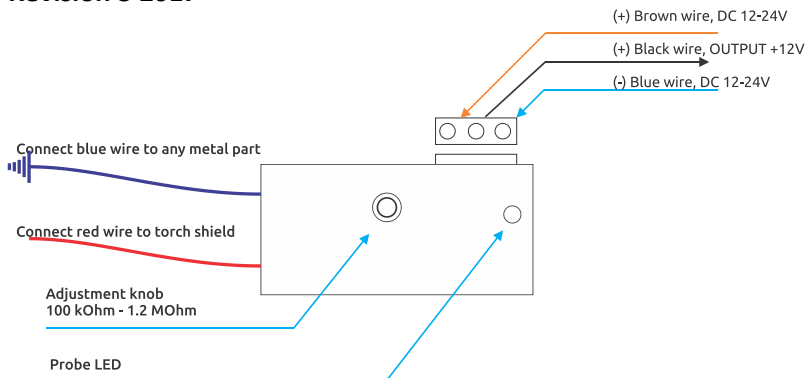


Revision 2 2015



This revision is push-pull sensor NO (normal open) PNP sensor = NC (normal closed) NPN sensor

Revision 3 2017



OPERATION:

Power sensor with two wires: blue (-) and brown (+).

The yellow LED will light for a second, when sensor is powered.

Close the RED and BLUE wires with your hands to trigger (or short them).

The yellow LED will trigger the output.

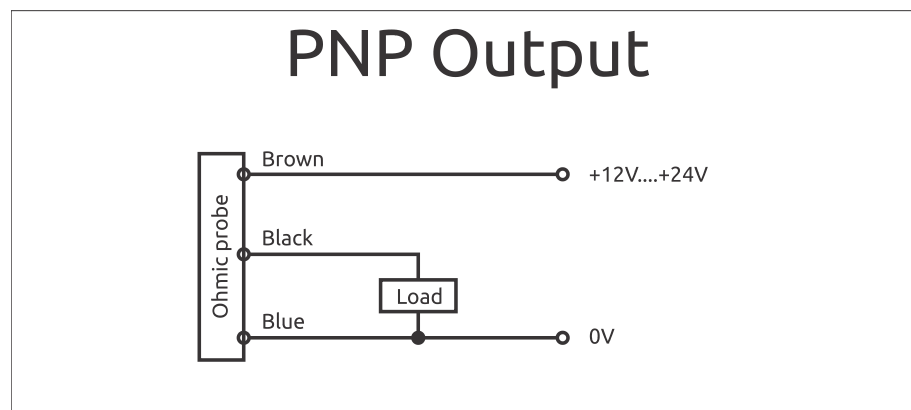
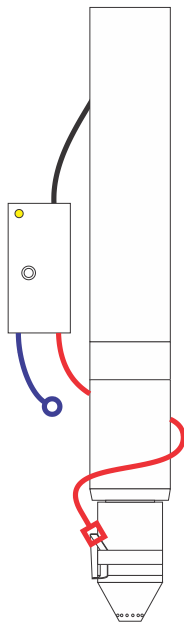
Output is:

black (+), blue (-).

Ohmic sensor output is fully opto-isolated. Ohmic sensor power is fully DCDC-isolated.

TECH:

Type	PNP-type (+ output)
	NO (normal open)
Sensitivity	Adjustable 250 000 Ohm – 1 000 000 Ohm (2014, 2015) 100 000 Ohm – 1 200 000 Ohm (2017)
Power	12 – 24 V
Recovery time	< 500 ms
Consumption	< 0.1 A
Size (LxWxH)	81x38x42 mm
Mounting	73 mm



Connecting with MiniTHC torch height controller THC-LPT adapter:

